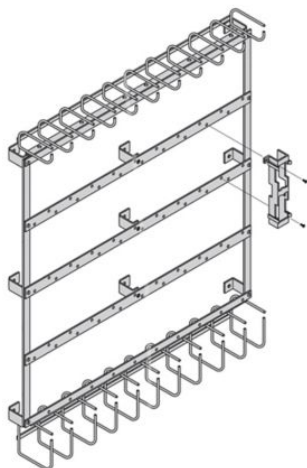


Eaton SB7200406CZY

Catalog Number: SB7200406CZY

Eaton B-Line series wall mount cross connect frame, 40" height, 24.25" length, 24.25" width, Jumper ring provided for wire management, ASTM A569 and A36 steel, Black powder coat, A569andA36 Steel frame yellow zinc, Steel jumper rings



General specifications

Product Name	Catalog Number
Eaton B-Line series wall mount cross connect frame	SB7200406CZY
	UPC
	799038214199
Product Length/Depth	Product Height
24.25 in	40 in
Product Width	Product Weight
24.25 in	35 lb
Certifications	
Not Applicable	

Product specifications

Type

Wall mounted cross connect frame

Material

Steel

Application

Jumper ring provided for wire management

Resources

Catalogs

[Distribution frames section of the Datacomm catalog](#)

Specifications and datasheets

[Eaton Specification Sheet - SB7200406CZY](#)



Eaton Corporation plc
Eaton House
30 Pembroke Road
Dublin 4, Ireland
Eaton.com
© 2023 Eaton. All Rights Reserved.

Eaton is a registered trademark.

All other trademarks are property of their respective owners.



[Eaton.com/socialmedia](https://www.eaton.com/socialmedia)